

StepMaxer™ Order Form

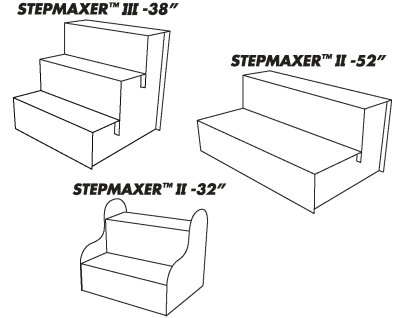
Heavy Duty Step- Merchandisers provide excellent stacking and organization for indoor or outdoor use!

Big Impact Display with reduced amount of Product

Organize your merchandise for better sales.

3 easy ways to order....

1. **Call** to place order **(800) 859-0803** from 9:00 -6:00 EST M-F
2. **Mail** Fill out form below and send with a check made out to **Intermarket Technology** (call for freight quote)
92 Newark Pompton Turnpike, Wayne, NJ 07470
3. **FAX:** Fill out form below and fax to: **(973) 872-9010**
(Simply check off the items you are interested in and we will handle the rest. A sales confirmation will be emailed to you to approve before we process your order.)



Product	Part #	Color	Size	Quantity
Step Maxer™ III-38	PHDSM338	Grey	38.25" x 36.75" x 36.25"	_____
Step Maxer™ II-32	PHDSM232	Black	32.25" x 25.75" x 27.75"	_____
Step Maxer™ II-52	PHDSM252	Red	51.75" x 31.75" x 23.25"	_____

Product Options:	Quantity
Optional Tracking- Allows you to apply your own signage to any step with sliding tracks.	_____
Changeable Signage- Advertise your product; Foldable, reversible graphic panel with 4 signage opportunities.	_____
Price Changer System- Display pricing and update as product prices change.	_____

****For Direct Printing Please Call In**

Order Approved By: _____
(Signature required)

Check here to pre-approve all charges including freight

Payment Information: Please circle one: Visa or Master Card only

Check Enclosed Credit Card (Enter Below) Purchase Order # _____ Date of order ____/____/____

Name on Credit Card: _____

Card Number: _____ Exp Date: ____/____/____

Billing Address:

Company Name: _____

Address: _____

City: _____ State: _____

Zip Code: _____

Contact: _____

Email: _____

Telephone: _____

Ship To (if different than bill to):

Company Name: _____

Address: _____

City: _____ State: _____

Zip Code: _____

Contact: _____

Email: _____

Telephone: _____

Freight charges are the responsibility of the customer. All orders ship FOB our plant Wayne, NJ. *Steps ship within 2-4 business weeks.

Mail Orders To: Intermarket Technology · 92 Newark Pompton Tpke · Wayne, NJ 07470

Fax Orders To: 973-872-9010

Thank you for your order! Please call 800-859-0803 if you have any questions.